

Study of Different interfacing of RS232C, Serial, parallel, USB, UART, USART.

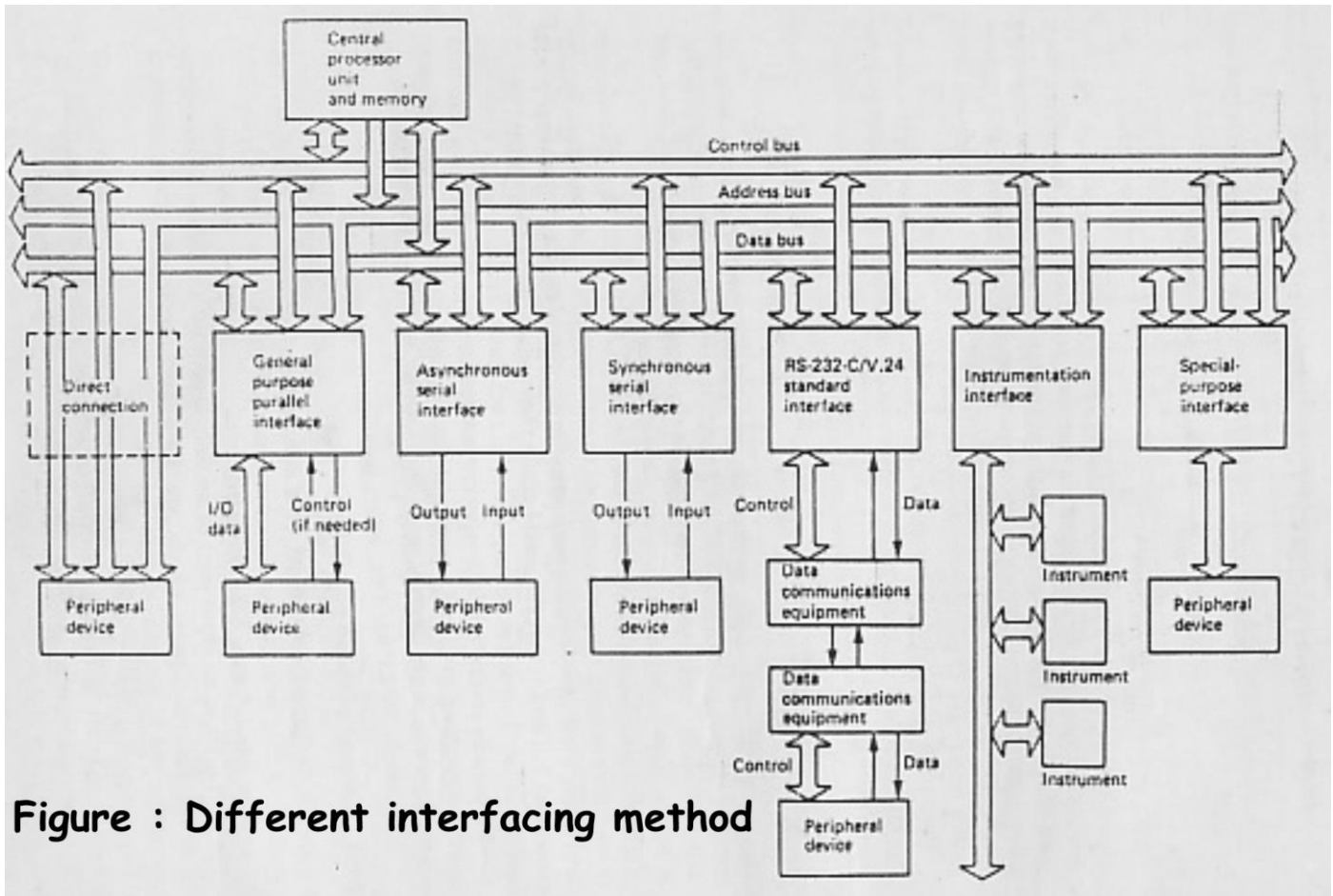


Figure : Different interfacing method